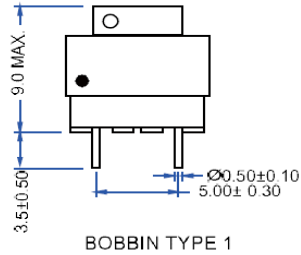
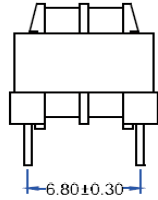
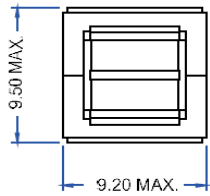


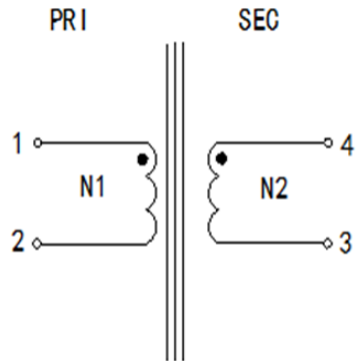
DIMENSIONS:



ELECTRICAL CHARACTERISTICS :

1. DCR : PIN 1-2 = PIN 3-4 = 6 OHM MAX.
2. INDUCTANCE (@10KHZ, 1Vrms) : PIN 1-2 = PIN 3-4 = 20mH MIN.
3. TURN RATIO (@18KHZ, 1Vrms) : PIN 1-2 : PIN 4-3 = 1 ± 1%
4. HI-POT (@1875VAC, 1mA, 2SEC) : PRI-SEC
5. RoHS COMPLIANT

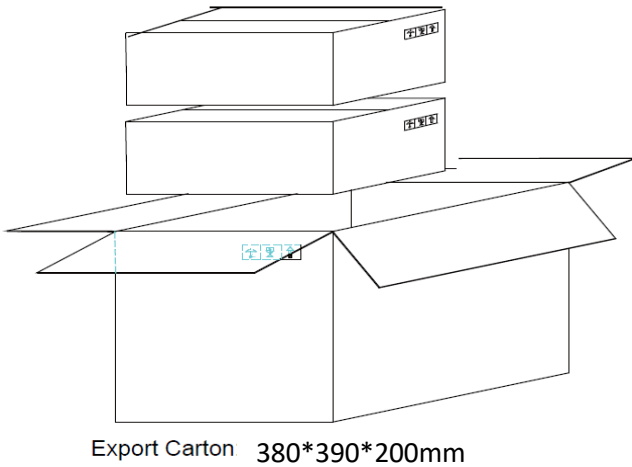
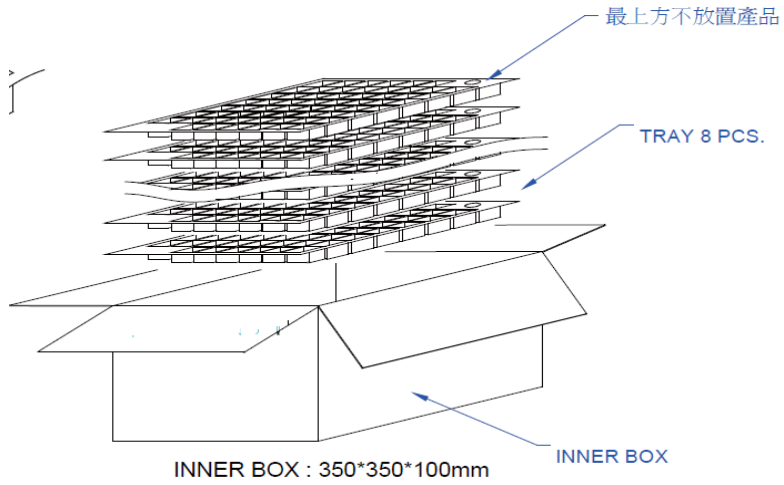
SCHEMATIC:



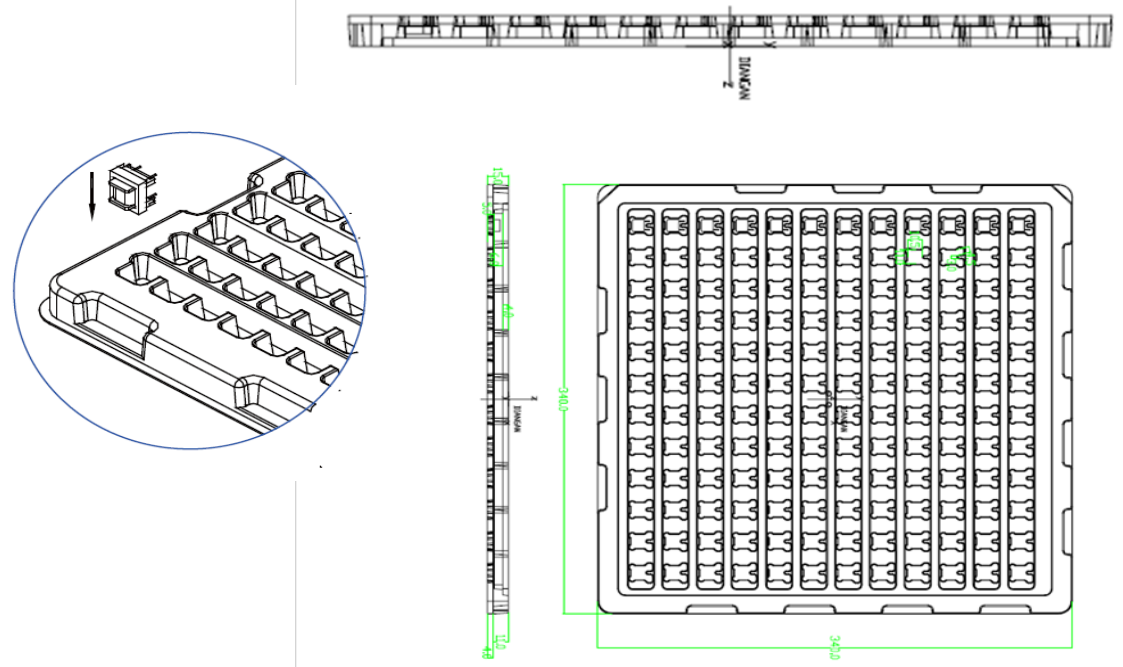
序號	物料名稱	規格描述	參考供應商及UL編號
1	磁芯	EE8. 3,	通达，力磁
2	骨架	EE8. 3卧式 (PIN2+2) , Phenolic, T375J	長春電木, E59481(S)
3	膠帶	Mylar Tape, Yellow, 130°C	亞華，E178516
4	漆包線	Magnet wire, 2UEW/Nat，155°C	深港，E239508
5	絕緣漆	T4260 (a) /155°C	TaiHu，E228349

TITLE		NO.	DESCRIPTION	DATE	DRAWN BY	CHECKED BY	APPROVED BY	UNIT
TRANSFORMER MODULE		A1	增加Packing	2023/1/5	Lulu	Black	Taming	MM
歐貝斯 OBEST INT, L LTD	Customer Specification NO.							DWG. NO.
	Part NO.	EE8.3						/
REVISIONS								SHEET 1 OF 2

PACKAGE CRITERION:



3. Tray



4. Package Quantity:

One Tray=144Pcs

One Inner carton =1008Pcs

One Export carton =2016Pcs

TITLE		TRANSFORMER MODULE		NO.	DESCRIPTION	DATE	DRAWN BY	CHECKED BY	APPROVED BY	UNIT
				A1	增加Packing	2023/1/5	Lulu	Black	Taming	MM
歐貝斯 OBEST INT, L LTD	Customer Specification NO.									DWG. NO.
	Part NO.	EE8.3								/
REVISIONS										SHEET 1 OF 2