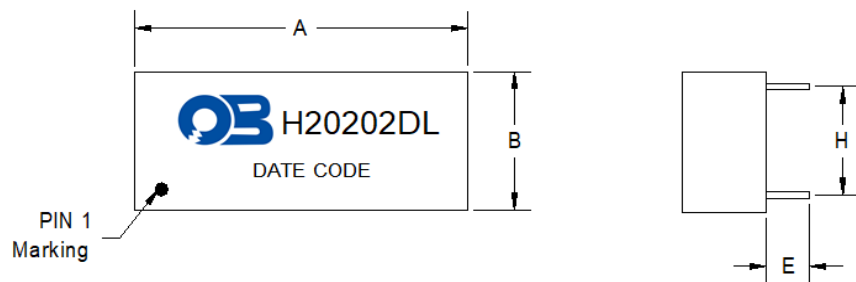
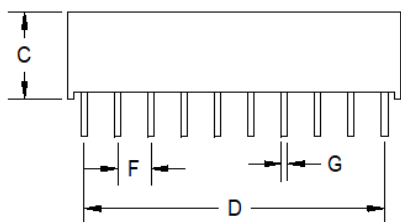


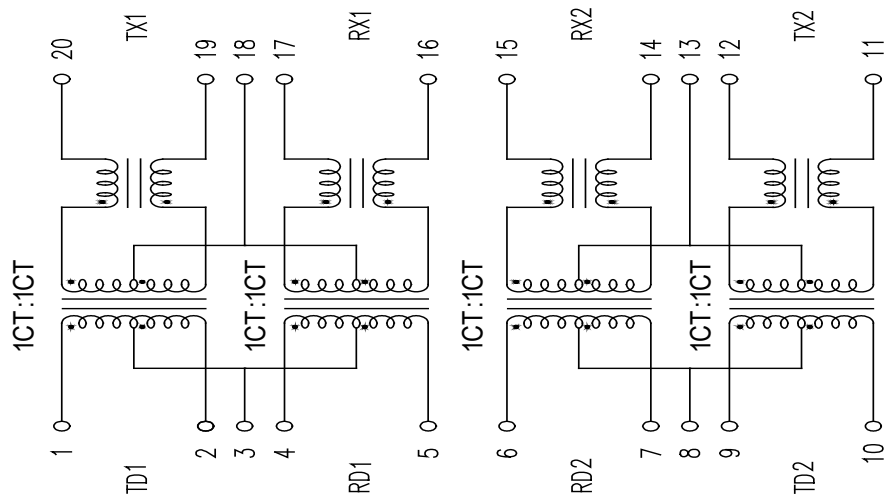
**DIMENSIONS:**



DIM	MILLIMETERS		INCHES	
	MIN	MAX	MIN	MAX
A	25.10	25.70	0.988	1.012
B	9.68	10.28	0.381	0.405
C	6.60(max)		0.260(max)	
D	22.86(typical)		0.900(typical)	
E	2.95	3.45	0.116	0.136
F	2.54(typical)		0.100(typical)	
G	0.50(typical)		0.020(typical)	
H	7.62(typical)		0.300(typical)	



**SCHEMATIC:**



**ELECTRICAL SPECIFICATIONS @25 °C**

OCL: 350uH Min @ 100KHz, 0.2V, 8mA DC BIAS

LL: 0.5uH Max @ 100KHz, 0.2V

Cw/w: 50PF TYP @ 100KHz, 0.2V

DCR: 0.9 Ω Max

Turn Ratio: 1CT:1CT(TX)/1CT:1CT(RX) ±5%

Polarity: 1-20, 4-17, 6-15, 9-12 In-Phase

Insertion Loss : 0.3-100MHz -1.1dB Max(TX/RX)

Return Loss : 0.3-30MHz -18dB Min(TX/RX)

40MHz -14.4dB Min(TX/RX)

50MHz -13.1dB Min(TX/RX)

60-80MHz -12dB Min(TX/RX)

Cross Talk: 0.3-30MHz -42dB Min(TX TO RX)

60-100MHz -33dB Min(TX TO RX)

Common Mode Rejection: 0.3-30MHz -40dB Min(TX/RX)

60MHz -35dB Min(TX/RX)

80-100MHz -30dB Min(TX/RX)

Isolation Hi-Pot: 1500Vrms 1mA 1Sec

OPERATING TEMPERATURE: 0 °C TO 70 °C.

**TITLE**

10/100/1000 BASE-T SINGLE PORT TRANSFORMER MODULE

UNIT

MM

DWG. NO.

/

歐貝斯  
OBEST INT, L LTD

Customer Specification NO.

Part NO.

H20202DL

X1

NO.

DESCRIPTION

DATE

NO.

DESCRIPTION

DATE

REVISIONS

SHEET 1 OF 1