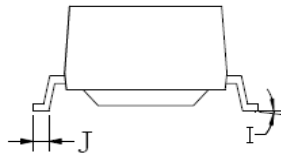
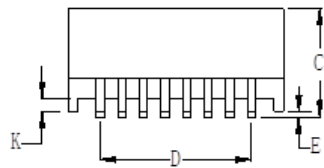
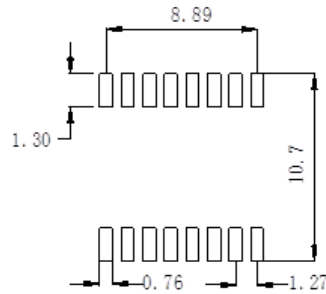
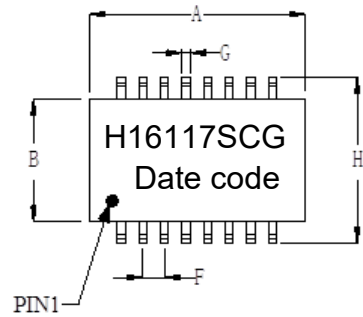
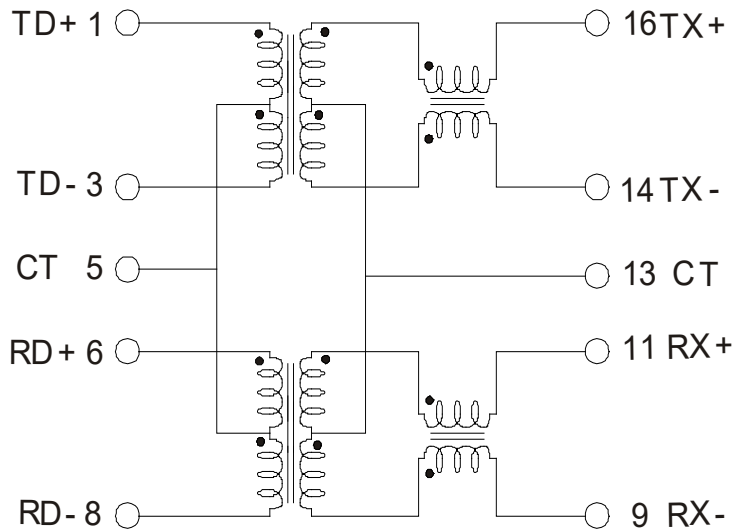


DIMENSIONS:



DIM	MILLIMETERS		INCHES	
	Center	Tolerances	Center	Tolerances
A	12.70	± 0.254	0.500	± 0.010
B	7.00	± 0.508	0.276	± 0.020
C	6.0(max)		0.236(max)	
D	8.89	± 0.127	0.350	± 0.005
E	0.30	± 0.127	0.012	± 0.005
F	1.27	± 0.127	0.050	± 0.005
G	0.46	± 0.127	0.018	± 0.005
H	9.50	± 0.254	0.374	± 0.010
I	4°	± 4°	0.157	± 0.157
J	0.70	± 0.254	0.028	± 0.010
K	0.80	± 0.254	0.031	± 0.010

SCHEMATIC:



ELECTRICAL SPECIFICATIONS @25 °C

OCL: 350uH Min @ 100KHz, 0.1V, 8mA DC BIAS

LL: 0.5uH Max @100KHz, 0.1V

Cw/w: 50PF TYP @100KHz, 0.1V

DCR: 1.40 Ω Max

Turn Ratio: 1CT:1CT(TX)/1CT:1CT(RX)±2%

Polarity: 1-16, 6-11 In-Phase

Insertion Loss : 1-100MHz -1.0dB Max(TX/RX)

Return Loss : 0.1-30MHz -18dB Min(TX/RX)

40MHz -16dB Min(TX/RX)

50MHz -14.1dB Min(TX/RX)

60MHz -12.5dB Min(TX/RX)

80MHz -10dB Min(TX/RX)

Cross Talk: 1-100MHz -30dB Min(TX TO RX)

Isolation Hi-Pot: 1500Vrms 60Sec

OPERATING TEMPERATURE: 0 °C TO +70 °C.

Storage Temperature Range:-40 °C TO +85 °C.

*Product Type: **Green Product***

TITLE

10/100/1000 BASE-T SINGLE PORT TRANSFORMER MODULE

UNIT

MM

Customer Specification NO.

DWG. NO.

歐貝斯
OBEST INT, L LTD

Part NO.

H16117SCG

X1

/

NO.

DESCRIPTION

DATE

NO.

DESCRIPTION

DATE

REVISIONS

SHEET 1 OF 1