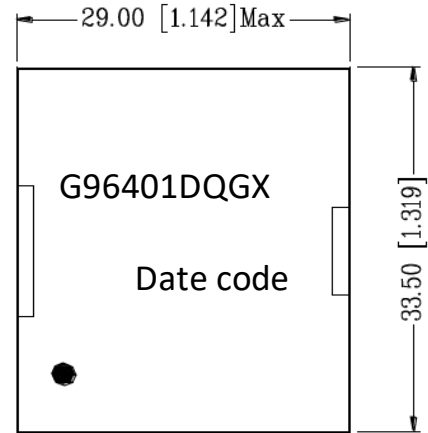
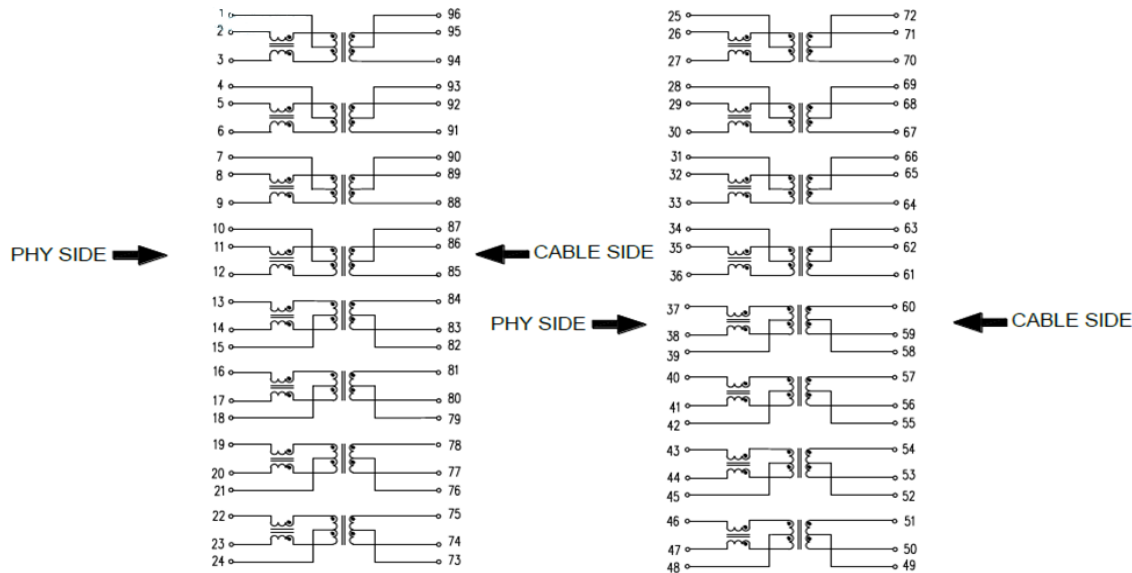


**DIMENSIONS:**



**SCHEMATIC:**



**ELECTRICAL SPECIFICATIONS @25 °C**

*OCL: 350uH Min @ 100KHz, 0.1V, 15mA DC BIAS*

*LL: 0.5uH Max @ 100KHz, 0.1V*

*Cw/w: 28PF TYP @ 100KHz, 0.1V*

*DCR: 1.8 Ω Max*

*Turn Ratio: 1CT: 1CT/1CT: 1CT±5%*

*Insertion Loss : 1-100MHz - 1.4dB Max*

*Return Loss : 1-40MHz -16dB Min*

50MHz	-14.8dB Min
60MHz	-12.5dB Min
80MHz	-10dB Min
100MHz	-8dB Min

*Cross Talk: 30MHz -40dB Min*

60MHz	-35dB Min
100MHz	-30dB Min

*DCMR: 30MHz -40dB Min*

60MHz	-35dB Min
100MHz	-30dB Min

*Isolation Hi-Pot: 1500Vrms 1Sec*

**OPERATING TEMPERATURE: -40 °C TO +85 °C**

**Storage Temperature Range: -40 °C TO +85 °C.**

TITLE						10/100/1000 BASE-T SINGLE PORT TRANSFORMER MODULE						UNIT		MM											
歐貝斯 OBEST INT, L LTD		Customer Specification NO.										DWG. NO.		/											
		Part NO.				G96401DQGX						NO.		SHEET 1 OF 1											
<table border="1"> <thead> <tr> <th>NO.</th> <th>DESCRIPTION</th> <th>DATE</th> <th>NO.</th> <th>DESCRIPTION</th> <th>DATE</th> </tr> </thead> <tbody> <tr> <td colspan="6">REVISIONS</td> </tr> </tbody> </table>														NO.	DESCRIPTION	DATE	NO.	DESCRIPTION	DATE	REVISIONS					
NO.	DESCRIPTION	DATE	NO.	DESCRIPTION	DATE																				
REVISIONS																									