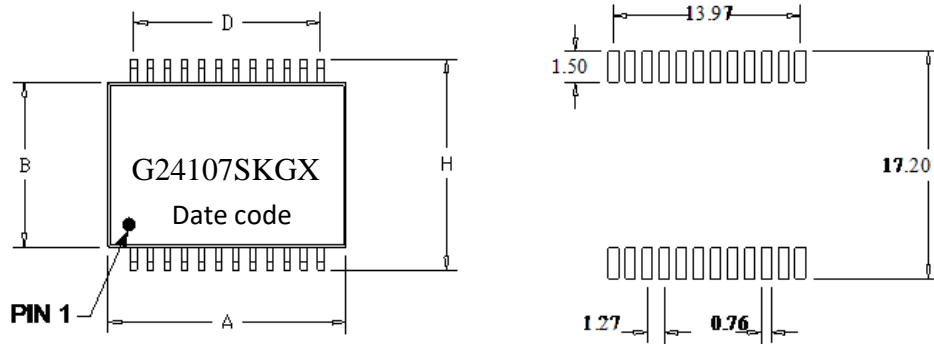
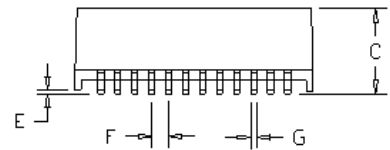


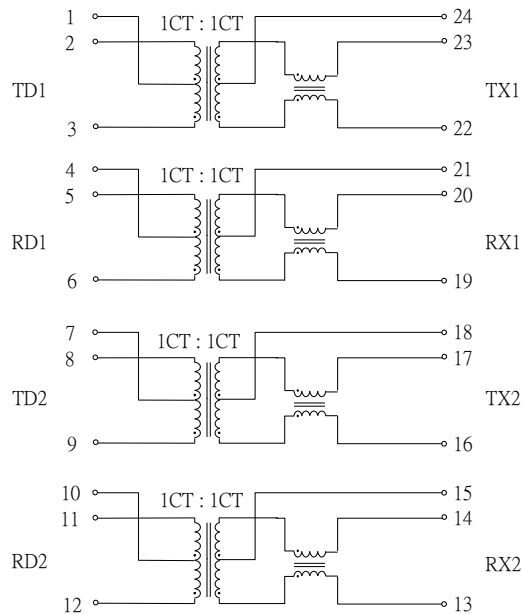
**DIMENSIONS:**



MILLIMETERS			MILLIMETERS		
DIM	Center	Tolerances	DIM	Center	Tolerances
A	17.9 Max		F	1.27	± 0.127
B	12.25	± 0.254	G	0.46	± 0.127
C	6.10 (max)		H	16.00	± 0.254
D	13.97	± 0.127	I	0-8°	0-8°
E	0.30	± 0.127	J	0.90	± 0.254



**SCHEMATIC:**



**A. ELECTRICAL SPECIFICATIONS @25 °C**

*OCL: 350uH Min @ 100KHz, 0.2V, 8mA DC BIAS*

*720mA Current Capability--It is suitable for IEEE 802.3at*

*LL: 0.5uH Max @ 100KHz, 0.2V*

*Cw/w: 25PF TYP @ 100KHz, 0.2V*

*DCR: 1.0 Ω Max*

*Turn Ratio: 1CT:1CT(TX)/1CT:1CT(RX) ± 2%*

*Polarity: 2-23, 5-20, 8-17, 11-14 In-Phase*

*Insertion Loss : 0.3-100MHz -1.1dB Max(TX/RX)*

*Return Loss : 1-30MHz -16dB Min*

*40MHz -16dB Min*

*50MHz -14.1dB Min*

*60MHz -12.5dB Min*

*80MHz -10dB Min*

*Cross Talk: 30MHz -35.8dB Min*

*60MHz -30.8dB Min*

*100MHz -28.0dB Min*

*Common Mode Rejection: 0.3-30MHz -40 dB Min(TX/RX)*

*60MHz -35dB Min(TX/RX)*

*80-100MHz -30dB Min(TX/RX)*

*Isolation: 1500Vrms 1Sec*

*OPERATING TEMPERATURE: -40 °C TO +85 °C.*

*Storage Temperature Range: -40 °C TO +85 °C.*

TITLE		10/100/1000 BASE-T SINGLE PORT TRANSFORMER MODULE						UNIT
								MM
歐貝斯 OBEST INT, L LTD	Customer Specification NO.							DWG. NO.
	Part NO.	G24107SKGX						/
		NO.	DESCRIPTION	DATE	NO.	DESCRIPTION	DATE	SHEET 1 OF 1
		REVISIONS						