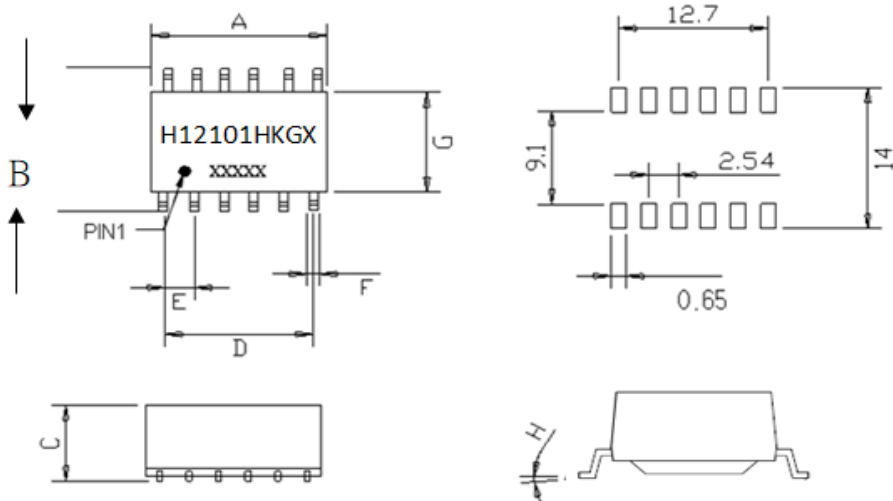
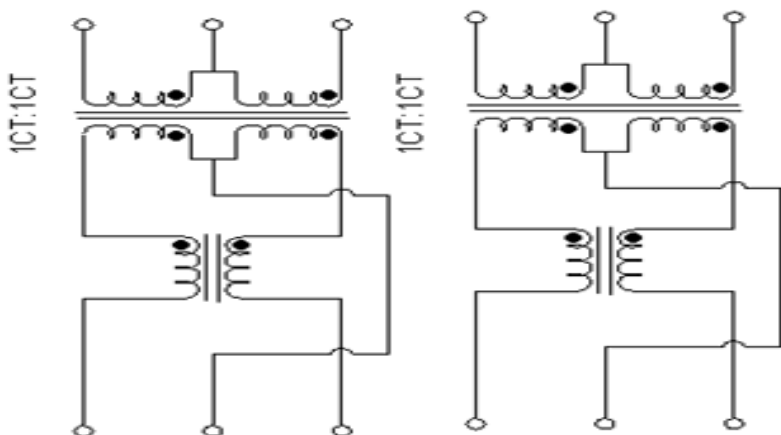


DIMENSIONS:



MILLIMETERS		
DIM	Center	Tolerances
A	15.10	± 0.254
B	12.80	± 0.254
C	6.70	± 0.254
D	12.70	± 0.254
E	2.54	± 0.100
F	0.65	± 0.254
G	9.95	± 0.254
H	0-8°	0-8°

SCHEMATIC:



ELECTRICAL SPECIFICATIONS @25 °C

OCL: 350uH Min @ 100KHz, 0.1V, 8mA DC BIAS

2.0A Current Capability

LL: 0.5uH Max @ 100KHz, 0.1V

Cw/w: 56PF Max @ 100KHz, 0.1V

DCR: 1.4 Ω Max

Turn Ratio: 1CT:1CT/1CT:1CT±2%

Polarity: 23-2, 20-5, 17-8, 14-11 In-Phase

Insertion Loss : 1 ~100MHz - 1.0dB Max

100~125MHz -1.2dB Max

Return Loss : 1-30MHz -18dB Min

30-60MHz -14dB Min

60-80MHz -12dB Min

80-100MHz -10dB Min

Cross Talk: 1MHz -50dB Min

1-100MHz -30dB Min

CMRR: 10MHz -50dB Min

125MHz -40dB Min

500MHz -20dB Min

Isolation Hi-Pot: 1500Vrms 1mA 60Sec

OPERATING TEMPERATURE: -40 °C TO +85 °C

Storage Temperature Range: -40 °C TO +85 °C.

TITLE

10/100/1000 BASE-T SINGLE PORT TRANSFORMER MODULE

UNIT

MM

Customer Specification NO.

DWG. NO.

歐貝斯
OBEST INT, L LTD

Part NO.

H12101HKGX

X1

/

NO.

DESCRIPTION

DATE

NO.

DESCRIPTION

DATE

REVISIONS

SHEET 1 OF 1