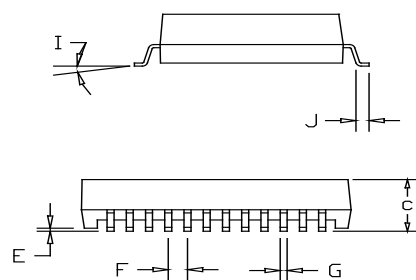
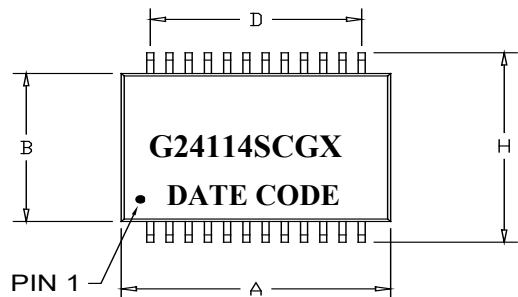


DIMENSIONS:



| DIM | MILLIMETERS | | INCHES | |
|-----|---------------|-------|----------------|-------|
| | MIN | MAX | MIN | MAX |
| A | 14.85 | 15.35 | 0.585 | 0.604 |
| B | 6.85 | 7.35 | 0.270 | 0.289 |
| C | 4.20(max) | | 0.165(max) | |
| D | 11.0(typical) | | 0.433(typical) | |
| E | 0.45(max) | | 0.018(max) | |
| F | 1(typical) | | 0.039(typical) | |
| G | 0.4(typical) | | 0.016(typical) | |
| H | 9.75 | 10.25 | 0.384 | 0.404 |
| I | 0° | | 8° | |
| J | 0.75 | 1.25 | 0.030 | 0.049 |
| X | 0.6(typical) | | 0.024(typical) | |
| Y | 1.35(typical) | | 0.053(typical) | |
| Z | 10.7(typical) | | 0.42(typical) | |

A. ELECTRICAL SPECIFICATIONS @25 °C

OCL:350uH Min @ 100KHz,0.2V,8mA DC BIAS

MEET IEEE 802.3 af (POE)

LL:0.5uH Max @100KHz,0.2V

Cw/w:20 PF TYP @100KHz,0.2V

DCR:1.4 Ω Max(SEC)

Turn Ratio:1CT:1CT(TX)/1CT:1CT(RX)±5%

Polarity:2-23,5-20,8-17,11-14 In-Phase

Insertion Loss :

1-100MHz -1.0dB Max(TX/RX)

Return Loss :

0.5-30MHz -18dB Min(TX/RX)

40MHz -16.0dB Min(TX/RX)

50MHz -14.1dB Min(TX/RX)

60-80MHz -12dB Min(TX/RX)

100MHz -10dB Min(TX/RX)

Cross Talk: 30MHz -45dB Min

60MHz -40dB Min

100MHz -35dB Min

Common Mode Rejection:

30MHz -40 dB Min(TX/RX)

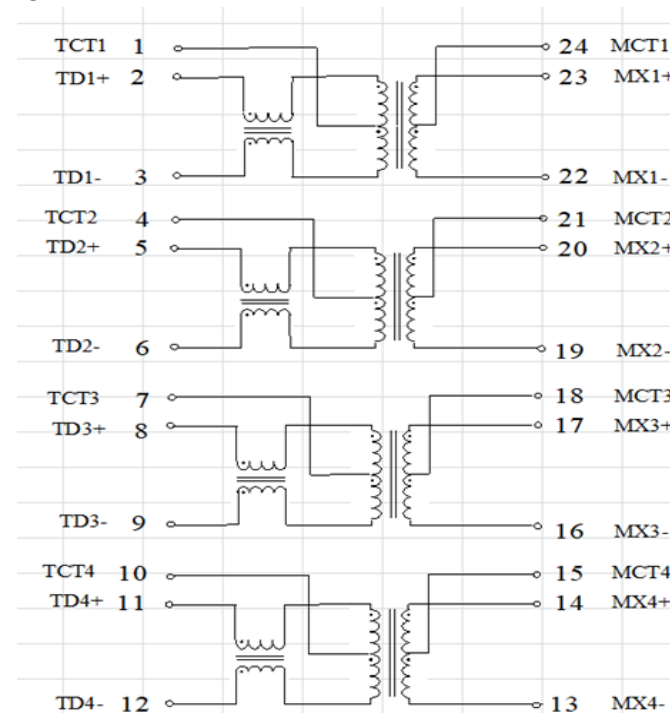
60MHz -35dB Min(TX/RX)

100MHz -30dB Min(TX/RX)

Isolation:1500Vrms 1mA 1Sec

OPERATING TEMPERATURE: -40 °C TO 85 °C.

SCHEMATIC:



TITLE

10/100/1000 BASE-T SINGLE PORT TRANSFORMER MODULE

UNIT

MM

DWG. NO.

/

歐貝斯
OBEST INT, L LTD

Customer Specification NO.

Part NO.

G24114SCGX

| NO. | DESCRIPTION | DATE | NO. | DESCRIPTION | DATE |
|-----------|-------------|------|-----|-------------|------|
| REVISIONS | | | | | |

SHEET 1 OF 1