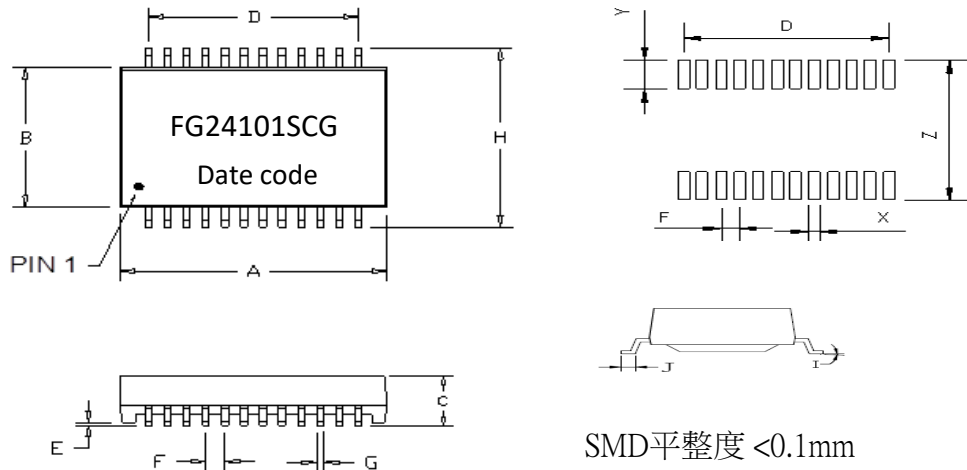
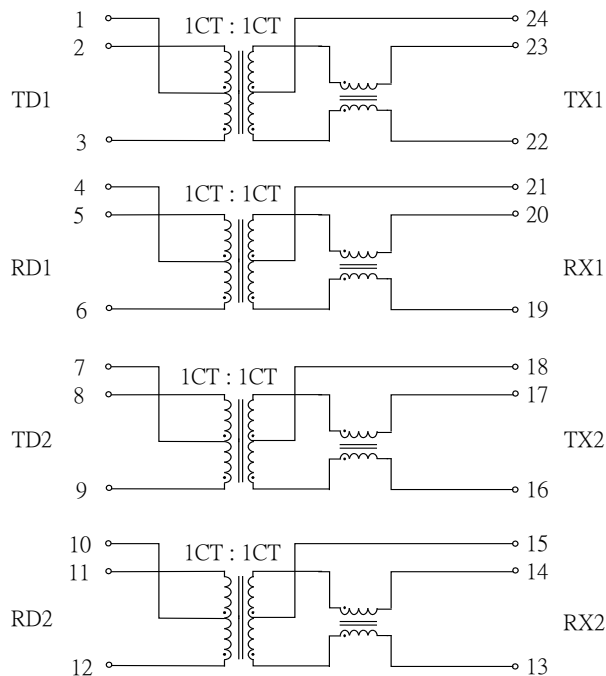


DIMENSIONS:



DIM	MILLIMETERS		INCHES	
	MIN	MAX	MIN	MAX
A	14.85	15.35	0.585	0.604
B	6.85	7.35	0.270	0.289
C	4.20(max)		0.165(max)	
D	11.0(typical)		0.433(typical)	
E	0.45(max)		0.018(max)	
F	1(typical)		0.039(typical)	
G	0.4(typical)		0.016(typical)	
H	9.75	10.25	0.384	0.404
I	0°	8°	0°	8°
J	0.75	1.25	0.030	0.049
X	0.6(typical)		0.024(typical)	
Y	1.35(typical)		0.053(typical)	
Z	10.7(typical)		0.42(typical)	

SCHEMATIC:



2.5/5G BASE-T Ethernet Magnetics		
MEETS IEEE 802.3 at (DC CURRENT 600mA)		
PARAMETER	SPECIFICATIONS	
OPERATING	-0 TO 70 °C.	
TURNS RATIO	1.00±2%	
POLARITY	PER SCHEMATIC	
INSERTION LOSS	100KHz	1-250MHZ
	-3.0dB MAX	-2.0dB MAX
RETURN LOSS (Z OUT=100 OHM±1%)	1-40 MHz	40MHZ-250 MHz
	-16dB Min	-(16-10*LOG(f/40))dB Min
INDUCTANCE(OCL)	180uH Min @ 100KHz. 100 Mv	
CROSSTALK,ADJACENT CHANNELS	1-100MHZ	100-250 MHz
	-40dB Min	-30 dB Min
COMMON MODE REJECTION RATIO	1-100MHZ	100-250MHZ
	-35dB Min	-30dB Min
DIFFERENTIAL MODE	1-125MHZ	125-250MHZ
	-35dB Min	-30dB Min
INPU-OUTPUT	1500 VRMS MIN @ 60 SECONDS	

TITLE		10/100/1000 BASE-T SINGLE PORT TRANSFORMER MODULE					UNIT	MM
歐貝斯 OBEST INT, L LTD	Customer Specification NO.						DWG. NO.	/
	Part NO.	FG24101SCG					REVISIONS	
		NO.	DESCRIPTION	DATE	NO.	DESCRIPTION	DATE	SHEET 1 OF 1