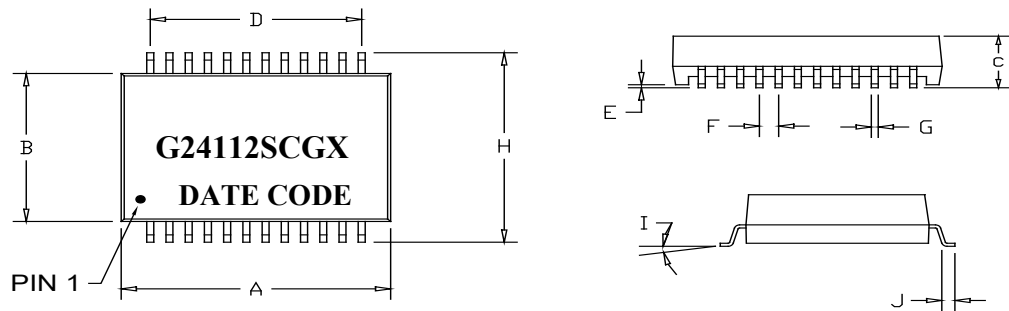


DIMENSIONS:



DIM	MILLIMETERS		INCHES	
	MIN	MAX	MIN	MAX
A	14.85	15.35	0.585	0.604
B	6.85	7.35	0.270	0.289
C	4.20(max)		0.165(max)	
D	11.0(typical)		0.433(typical)	
E	0.45(max)		0.018(max)	
F	1(typical)		0.039(typical)	
G	0.4(typical)		0.016(typical)	
H	9.75	10.25	0.384	0.404
I	0°		8°	
J	0.75	1.25	0.030	0.049
X	0.6(typical)		0.024(typical)	
Y	1.35(typical)		0.053(typical)	
Z	10.7(typical)		0.42(typical)	

A. ELECTRICAL SPECIFICATIONS @25 °C

OCL: 350uH Min @ 100KHz, 0.2V, 8mA DC BIAS

MEET IEEE 802.3 cf (POE)

LL: 0.5uH Max @100KHz, 0.2V

Cw/w: 20 PF TYP @100KHz, 0.2V

DCR: 1.4 Ω Max(SEC)

Turn Ratio: 1CT:1CT(TX)/1CT:1CT(RX)±5%

Polarity: 2-23, 5-20, 8-17, 11-14 In-Phase

Insertion Loss :

1-100MHz -1.0dB Max(TX/RX)

Return Loss :

0.5-30MHz -18dB Min(TX/RX)

40MHz -16.0dB Min(TX/RX)

50MHz -14.1dB Min(TX/RX)

60-80MHz -12dB Min(TX/RX)

100MHz -10dB Min(TX/RX)

Cross Talk: 30MHz -45dB Min

60MHz -40dB Min

100MHz -35dB Min

Common Mode Rejection:

30MHz -40 dB Min(TX/RX)

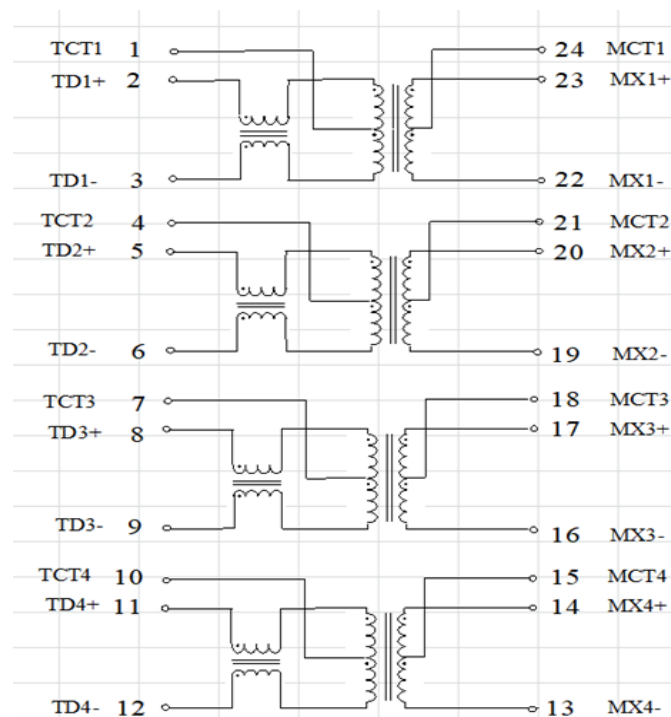
60MHz -35dB Min(TX/RX)

100MHz -30dB Min(TX/RX)

Isolation: 1500Vrms 1mA 1Sec

OPERATING TEMPERATURE: -40 °C TO 85 °C.

SCHEMATIC:



TITLE

10/100/1000 BASE-T SINGLE PORT TRANSFORMER MODULE

UNIT

MM

歐貝斯
OBEST INT, L LTD

Customer Specification NO.

Part NO.

G24112SCGX

X1						
NO.	DESCRIPTION	DATE	NO.	DESCRIPTION	DATE	
REVISIONS						

DWG. NO.

/

SHEET 1 OF 1