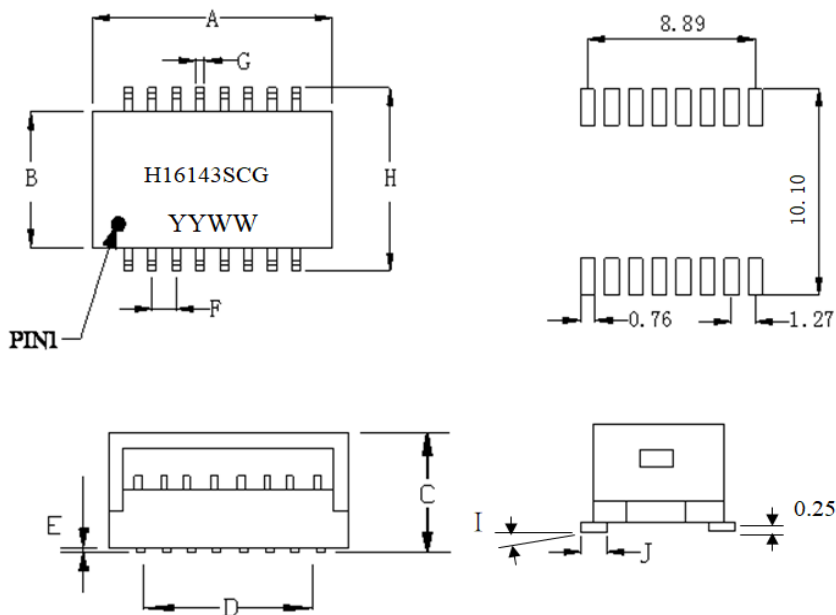


DIMENSIONS:



DIM	MILLIMETERS		INCHES	
	Center	Tolerances	Center	Tolerances
A	12.70	± 0.25	0.500	± 0.010
B	8.70	± 0.25	0.343	± 0.010
C	6.00 max		0.236 max	
D	8.89 typ		0.350 typ	
E	0.30	± 0.15	0.012	± 0.006
F	1.27 typ		0.050 typ	
G	0.46 typ		0.018 typ	
H	9.40	± 0.25	0.370	± 0.010
I	0-8°	0-8°	0-8°	0-8°
J	0.70	± 0.25	0.028	± 0.010

ELECTRICAL SPECIFICATIONS @25 °C

OCL: 350uH Min @ 100KHz, 0.1V, 8mA DC BIAS

720mA Current Capability--It is suitable for IEEE 802.3at

LL: 0.5uH Max @100KHz, 0.1V

Cw/Av: 20PF TYP @100KHz, 0.1V

DCR: 1.4 Ω Max

Turn Ratio: 1CT:1CT±2%

Polarity: 1-16, 6-11 In-Phase

Insertion Loss : 1-100MHz -1.1dB Max(TX/RX)

Return Loss : 1-30MHz -16dB Min(TX/RX)

40MHz -16dB Min(TX/RX)

50MHz -14.1dB Min(TX/RX)

60MHz -12.5dB Min(TX/RX)

80MHz -10dB Min(TX/RX)

Cross Talk: 30MHz -35.8dB Min(TX TO RX)

60MHz -30.8dB Min(TX TO RX)

100MHz -28.0dB Min(TX TO RX)

Common Mode Rejection: 1-100MHz -30dB Min(TX/RX)

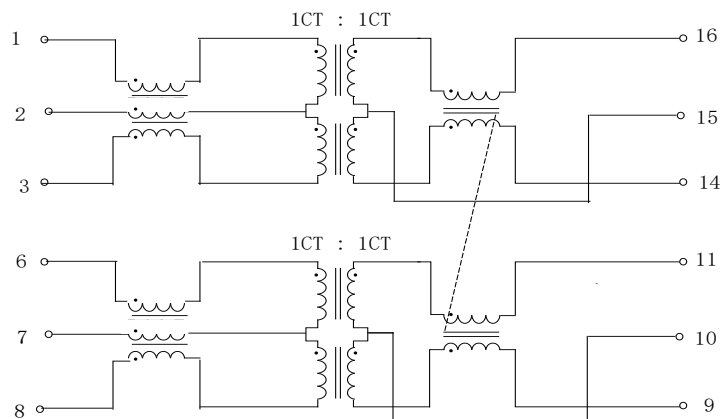
Isolation Hi-Pot: 1500Vrms 1mA 60Sec

OPERATING TEMPERATURE: -40 °C TO 85 °C.

Storage Temperature Range: -40 °C TO +85 °C.

Product Type: **Green Product**

SCHEMATIC:



TITLE

10/100/1000 BASE-T SINGLE PORT TRANSFORMER MODULE

UNIT

MM

DWG. NO.

/

歐貝斯

OBEST INT, L LTD

Customer Specification NO.

Part NO.

H16143SCG

X1

NO.

DESCRIPTION

DATE

NO.

DESCRIPTION

DATE

REVISIONS

SHEET 1 OF 1