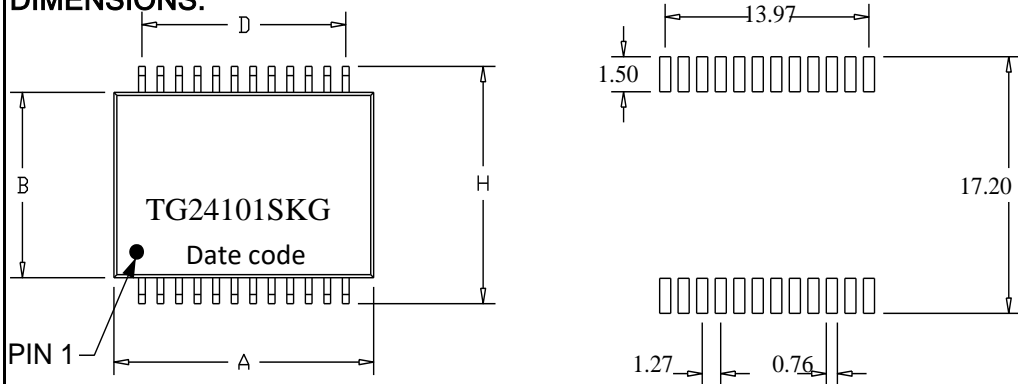
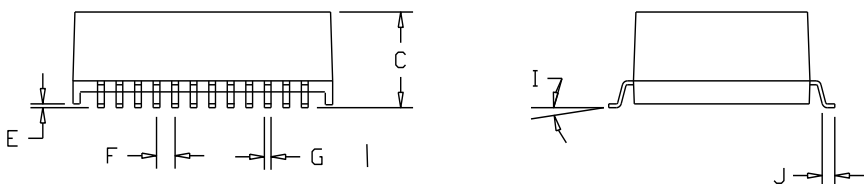


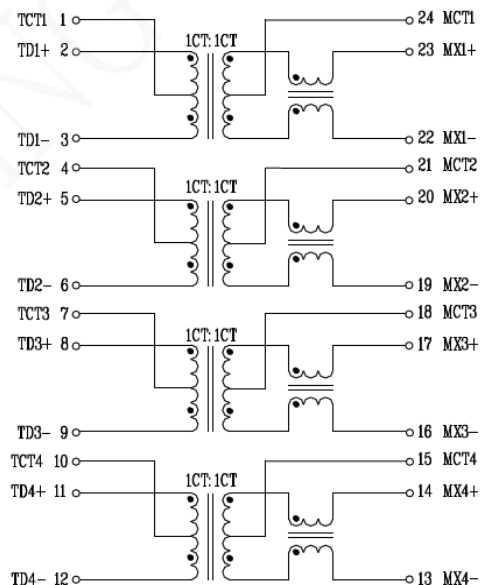
DIMENSIONS:



DIM	MILLIMETERS		INCHES	
	Center	Tolerances	Center	Tolerances
A	18.3 Max		0.72 Max	
B	12.25	± 0.300	0.482	± 0.012
C	6.80 (max)		0.27 (max)	
D	13.97	± 0.127	0.550	± 0.005
E	0.30	± 0.127	0.012	± 0.005
F	1.27	± 0.127	0.050	± 0.005
G	0.46	± 0.127	0.018	± 0.005
H	16.00	± 0.254	0.630	± 0.010
I	0-8°	0-8°	0-8°	0-8°
J	0.90	± 0.254	0.035	± 0.010



SCHEMATIC:



PARAMETER	SPECIFICATIONS		
OPERATING	0 °C TO 70 °C.		
TURNS RATIO	1.00±2%		
POLARITY	PER SCHEMATIC		
	100KHz	1-500MHZ	
INSERTION LOSS	-3.0dB MAX	-1.0 dB MAX (-0.6 dB TYP)	
RETURN LOSS (Z OUT=100 OHM±1%)	1-40 MHz	40MHz-500 MHz	
	-18dB Min	-17 + 10 *LOG (f/40)	
INDUCTANCE(OCL)	120uH Min @ 100KHz. 100 mV		
ENT CHANNELS	1-100MHz	100-500 MHz	
	-40dB Min	-30 dB Min	
COMMON MODE REJECTION RATIO	1-100MHz	100-300MHz	300-500 MHz
	-37dB Min	-30dB Min	-25dB Min
	DIFFERENTIAL MODE	1-125MHz	250-500MHz
	-30dB Min	-22dB Min	
ISOLATION	1500 VRMS MIN @ 60 SECONDS		

TITLE		10/100/1000 BASE-T SINGLE PORT TRANSFORMER MODULE				UNIT	MM
歐貝斯 OBEST INT, L LTD	Customer Specification NO.					DWG. NO.	/
	Part NO.	TG24101SKG					
REVISIONS						SHEET 1 OF 1	