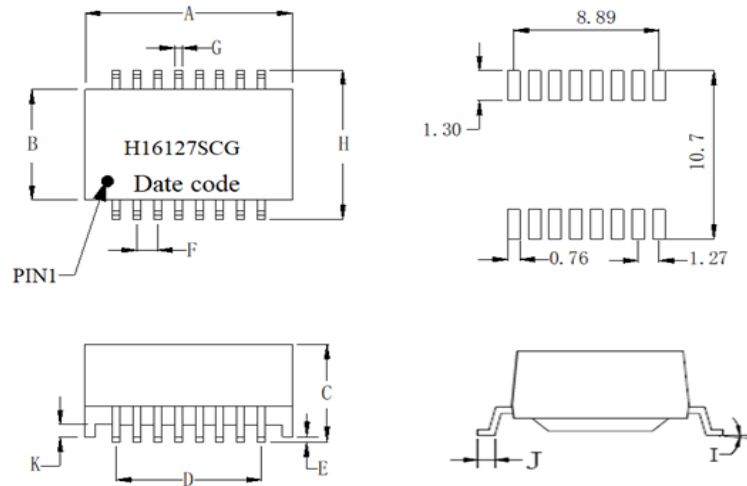
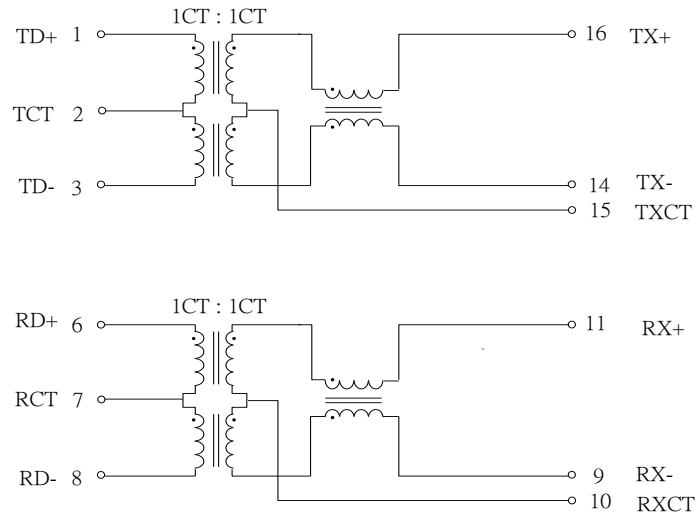


**DIMENSIONS:**



DIM	MILLIMETERS		INCHES	
	Center	Tolerances	Center	Tolerances
A	12.70	± 0.254	0.500	± 0.010
B	7.00	± 0.508	0.276	± 0.020
C	6.0(max)		0.236(max)	
D	8.89	± 0.127	0.350	± 0.005
E	0.30	± 0.127	0.012	± 0.005
F	1.27	± 0.127	0.050	± 0.005
G	0.46	± 0.127	0.018	± 0.005
H	9.50	± 0.254	0.374	± 0.010
I	4°	± 4°	0.157	± 0.157
J	0.70	± 0.254	0.028	± 0.010
K	0.80	± 0.254	0.031	± 0.010

**SCHEMATIC:**



**A. ELECTRICAL SPECIFICATIONS @25 °C**

OCL: 350uH Min @ 100KHz, 0.2V, 8mA DC BIAS

LL: 0.5uH Max @ 100KHz, 0.2V

Cw/w: 20PF TYP @ 100KHz, 0.2V

DCR: 1.4 Ω Max

Turn Ratio: 1CT:1CT(TX)/1CT:1CT(RX)±2%

Polarity: 1-16, 6-11 In-Phase

Insertion Loss : 0.3-100MHz -1.1dB Max(TX/RX)

Return Loss : 1-30MHz -16dB Min(TX/RX)

40MHz -16dB Min(TX/RX)

50MHz -14.1dB Min(TX/RX)

60MHz -12.5dB Min(TX/RX)

80MHz -12dB Min(TX/RX)

Cross Talk: 30MHz -35.8dB Min(TX TO RX)

60MHz -30.8dB Min(TX TO RX)

100MHz -28.0dB Min(TX TO RX)

Common Mode Rejection: 0.3-30MHz -43dB Min(TX/RX)

60MHz -37dB Min(TX/RX)

80-100MHz -33dB Min(TX/RX)

Isolation Hi-Pot: 1500Vrms 60Sec

OPERATING TEMPERATURE: -0 °C TO 70 °C.

Storage Temperature Range: -40 °C TO +85 °C.

Product Type: **Green Product**

TITLE		10/100/1000 BASE-T SINGLE PORT TRANSFORMER MODULE					UNIT
							MM
歐貝斯 OBEST INT, L LTD	Customer Specification NO.						DWG. NO.
	Part NO.	H16127SCGX					/
		X1					SHEET 1 OF 1
		NO.	DESCRIPTION	DATE	NO.	DESCRIPTION	
		REVISIONS					