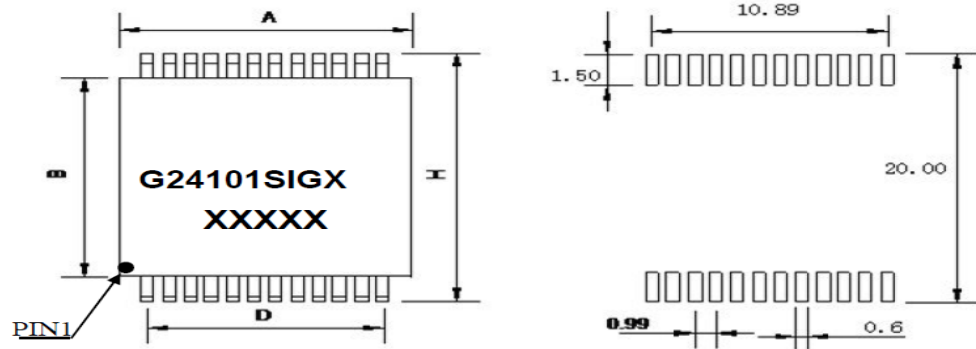


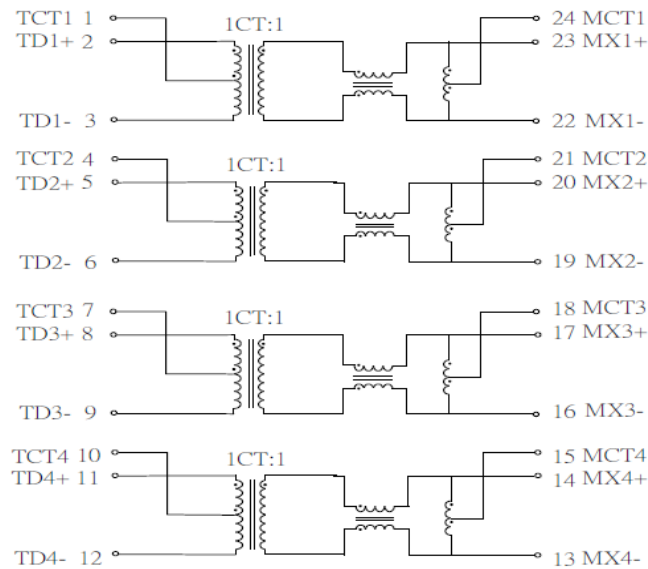
DIMENSIONS:



DIM	MILLIMETERS		INCHES	
	Center	Tolerances	Center	Tolerances
A	13.80	± 0.254	0.543	± 0.010
B	15.30	± 0.254	0.602	± 0.010
C	6.00	Max	0.236	Max
D	10.89	± 0.127	0.429	± 0.005
E	0.30	± 0.127	0.012	± 0.005
F	0.99	± 0.127	0.039	± 0.005
G	0.40	± 0.127	0.016	± 0.005
H	18.80	± 0.254	0.740	± 0.010
I	4°	± 4°	0.157	± 0.157
J	0.90	± 0.254	0.035	± 0.010



SCHEMATIC:



A. ELECTRICAL SPECIFICATIONS @25 °C

OCL:350uH Min @ 100KHz,0.2V,8mA DC BIAS 25 °C
720mA Current Capability--It is suitable for IEEE 802.3at.

LL:0.5uH Max @100KHz,0.2V
Cw/w:25PF TYP @100KHz,0.2V

DCR:1.4 Ω Max

Turn Ratio:1CT:1±2%

Polarity:2-23,5-20,8-17,11-14 In-Phase

Insertion Loss : 0.3-100MHz - 1.1dB Max

Return Loss : 0.3-30MHz -18dB Min

40MHz -14.4dB Min

50MHz -13.1dB Min

60-80MHz -12dB Min

Cross Talk: 0.3-30MHz -35dB Min

60-100MHz -28dB Min

Common Mode Rejection: 0.3-30MHz -40dB Min

60MHz -35dB Min

80-100MHz -30dB Min

Isolation Hi-Pot:AC 1500V 1mA 60Sec

OPERATING TEMPERATURE:-40 °C TO +85 °C.

Storage Temperature Range:-40 °C TO +85 °C.

Product Type: **Green Product**

TITLE		10/100/1000 BASE-T SINGLE PORT TRANSFORMER MODULE						UNIT
								MM
歐貝斯 OBEST INT, L LTD	Customer Specification NO.							DWG. NO.
	Part NO.	G24101SIGX						/
		X1						
		NO.	DESCRIPTION	DATE	NO.	DESCRIPTION	DATE	
		REVISIONS						SHEET 1 OF 1